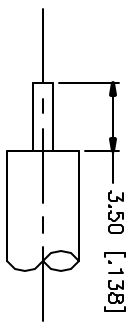
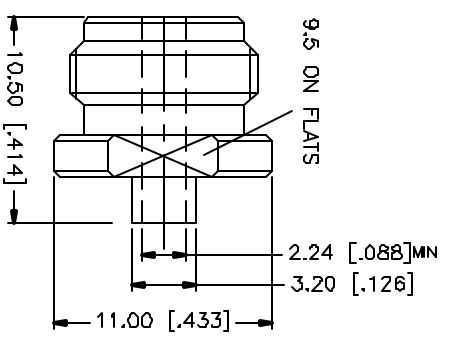
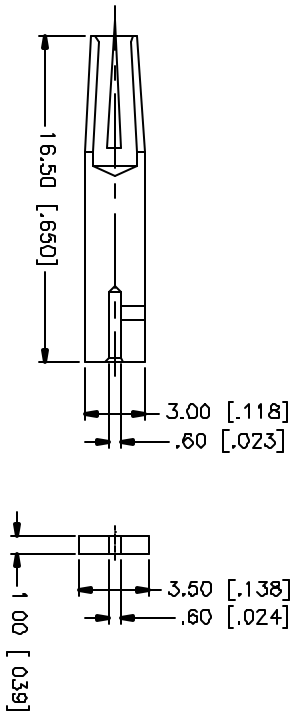
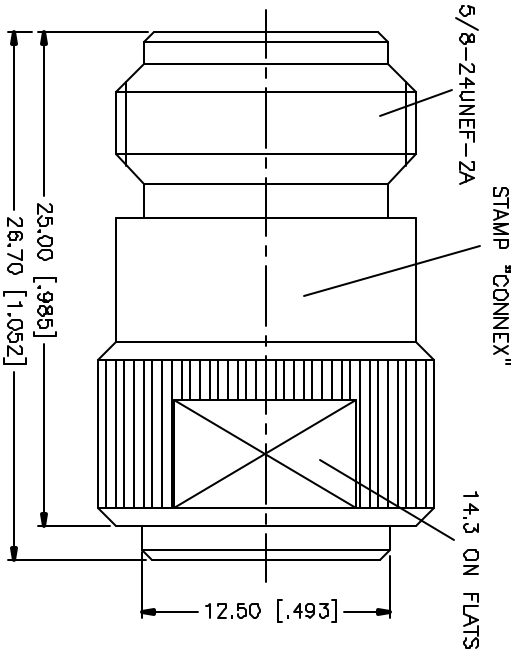
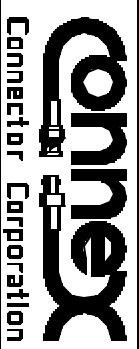


REV.	DATE	DESCRIPTION
NC	10/26/00	INITIAL RELEASE



RECOMMENDED CABLE STRIPPING DIM'S

DESCRIPTION	MATERIAL	FINISH	UNLESS OTHERWISE SPECIFIED DIMENSIONS ARE IN MILLIMETERS FOR CUSTOMER REFERENCE ONLY	APPROVALS	DATE	TITLE	SIZE	FSCM NO.	DWG. NO.	REV.
1 OUTER BODY	BRASS	NICKEL	UNLESS OTHERWISE SPECIFIED DIMENSIONS ARE IN MILLIMETERS FOR CUSTOMER REFERENCE ONLY  UNLESS OTHERWISE SPECIFIED TOLERANCES FOR MILLIMETERS ARE: 0.5-6 = ± 0.2 6-30 = ± 0.4 30-120 = ± 0.6 120-315 = ± 1 315-1000 = ± 1.6 1000-2000 = ± 2.4	DRAWN	G.R.S.	10/26/00	A	99001	172237.DWG	NC
2 INSULATOR	TEFLON	NATURAL		CHECKED						
3 INNER BODY	BRASS	NICKEL		ISSUED						
4 CONTACT PIN	PHOS. BRONZE	GOLD								
5 INSULATOR	TEFLON	NATURAL								
6 SOLDER NUT	BRASS	GOLD								
7										
8				DO NOT SCALE DRAWING						



N SOLDER JACK (FOR .085" SEMI RIGID CABLE)

SCALE	NA	PART NO	172237	SHEET	1 OF 1
-------	----	---------	--------	-------	--------